

AR10x50 Series

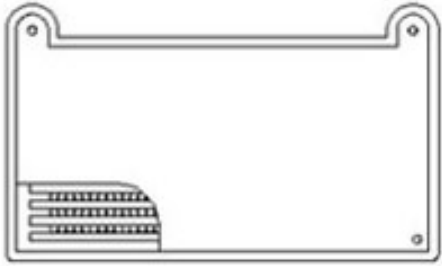
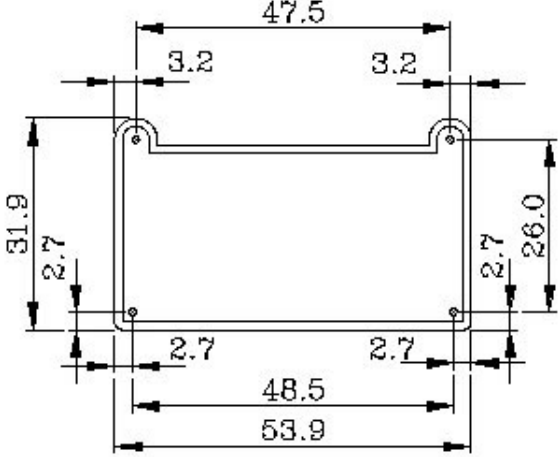
Specifications

- Operating Power: 5W to 20W
- Input Voltage (Peak-to-Peak): 10V to 300V
- Output Voltage (Peak-to-Peak): 15KV Max.
- I/O Isolation Voltage: 10KV
- Frequency: 60Hz to 5KHz
- Operating Surface Temperature: 0°C to +80°C
- Type: Pulse Transformer

Applications

- Ozone Generator (100mg to 400mg /hr/O2)
- Ion Generator
- Electrostatic Precipitator
- Electronic Gas Igniter



Coil Winding Types	
	
Layer	UNIT: mm

Part Number List

Part Number	Winding	Turns Ratio	Pin - Pin	Inductance	DC Resistance
CH-990527A	Primary	1	1 - 2	121.5uH	0.537Ω
	Secondary	90.9	3 - 4	0.94H	1.15KΩ
CH-990527B	Primary	1	1 - 2	200uH	0.22Ω
	Secondary	112.7	3 - 4	1.22H	1.84KΩ
CH-990605	Primary	1	1 - 2	0.22mH	0.72Ω
	Secondary	68.5	3 - 4	0.93H	1.14KΩ
CH-991108	Primary	1	1 - 2	0.21mH	0.68Ω
	Secondary	71.4	3 - 4	0.93H	1.14KΩ
CHT-0107A	Primary	1	2 - 1	110uH	0.37Ω
	Secondary	111	4 - 3	1.10H	1.14KΩ
CHT-0109A	Primary	1	2 - 1	197uH	0.54Ω
	Secondary	76.9	4 - 3	1.10H	1.14KΩ
CHT-0430B	Primary	1	1 - 2	79uH	0.081Ω
	Secondary	142.9	3 - 4	744mH	0.558KΩ