

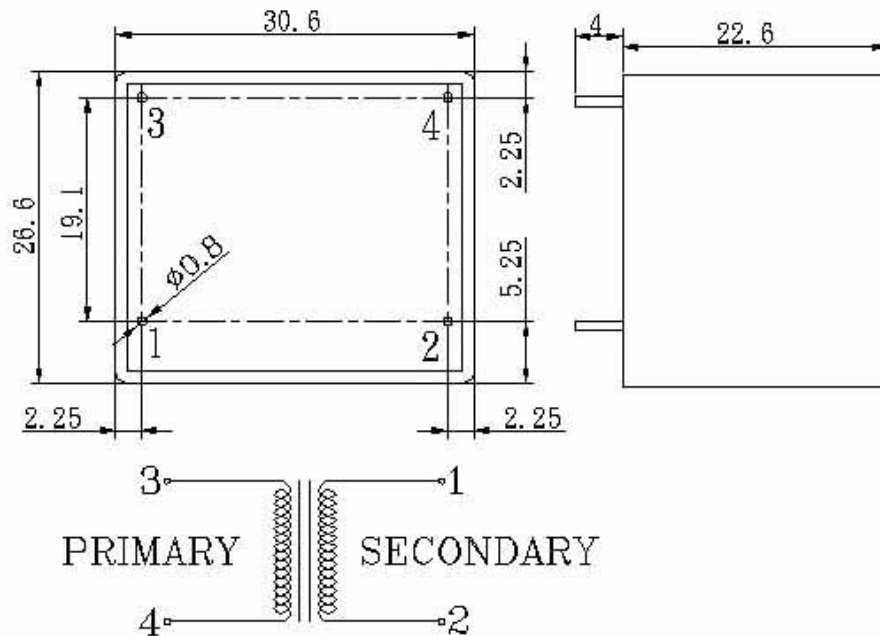
R8x20 Series

Specifications

- Operating Power: 1W to 5W
- Input Voltage (Peak-to-Peak): 10V to 200V
- Output Voltage (Peak-to-Peak): 10KV Max.
- I/O Isolation Voltage: 10KV
- Frequency: 60Hz to 5KHz
- Operating Surface Temperature: 0°C to +80°C
- Type: Pulse Transformer

Applications

- Ozone Generator (20mg to 200mg /hr/O₂)
- Ion Generator
- Electrostatic Precipitator
- Electronic Gas Igniter



UNIT: mm

Part Number List

Part Number	Winding	Turns Ratio	Pin - Pin	Inductance	DC Resistance
LA-615021	Primary	1	3 - 4	17.4uH	0.4Ω
	Secondary	71.4	1 - 2	69.3mH	0.36KΩ
LA-726016	Primary	1	3 - 4	8.4uH	0.063Ω
	Secondary	162.5	1 - 2	188.2mH	0.65KΩ