

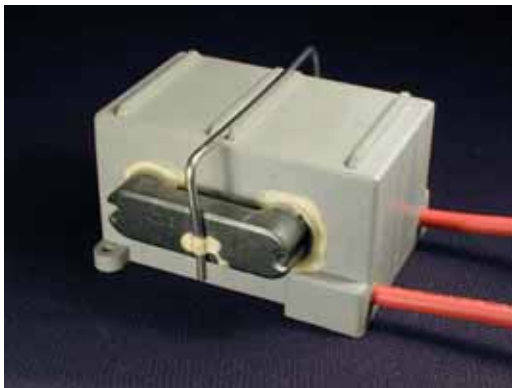
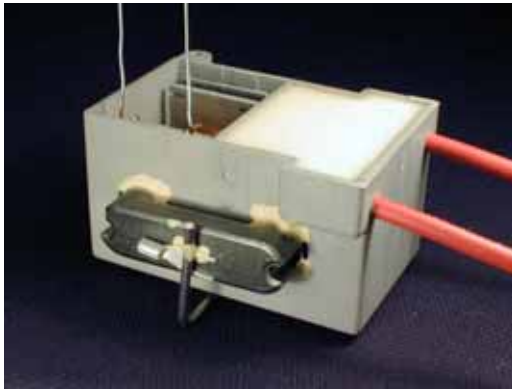
# RU4129 Series

## Specifications

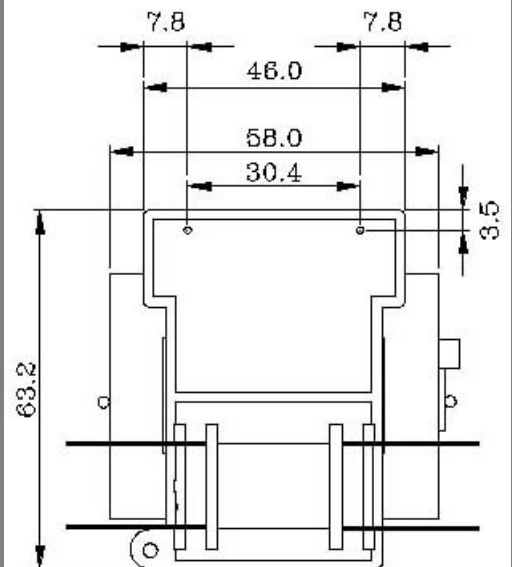
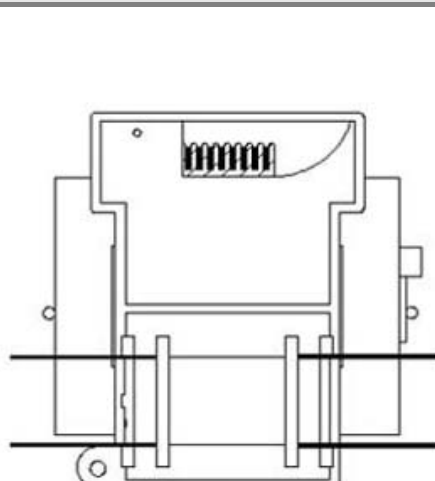
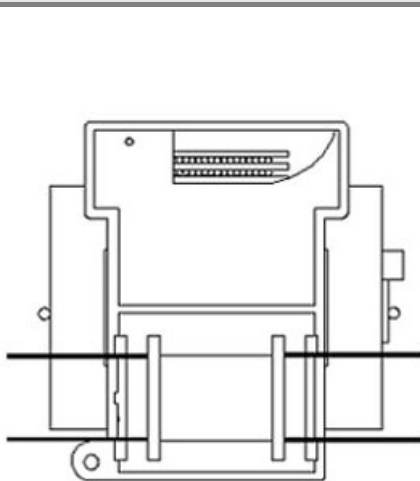
- Operating Power: 60W to 120W
- Input Voltage (Peak-to-Peak): 20V to 1200V
- Output Voltage (Peak-to-Peak): 25KV Max.
- I/O Isolation Voltage: 25KV
- Frequency: 10KHz to 40KHz
- Operating Surface Temperature: 0°C to +80°C

## Applications

- Ozone Generator (2g to 8g /hr/O<sub>2</sub>)
- Ion Generator
- Electrostatic Precipitator
- Electronic Gas Igniter
- Electronic Neon Tube Power Supply (40ft)



## Coil Winding Types



Layer

Bobbin

UNIT: mm

## Part Number List

Part Number	Winding	Turns Ratio	Pin - Pin	Inductance	DC Resistance
CH-980413A	Primary	1	1 - 3	176uH	0.07Ω
	Feedback	1	2 - 4	176uH	0.07Ω
	Secondary	100	5 - 6	1.77H	0.27KΩ
CH-980417	Primary	1	1 - 2	6.9mH	0.39Ω
	Feedback	0.13	3 - 4	121uH	0.065Ω
	Secondary	27.8	5 - 6	5.3H	0.41KΩ
CH-980917	Primary	1	1 - 2	1.65mH	0.146Ω
	Secondary	34.5	3 - 4	1.95H	0.36KΩ
CH-980919	Primary	1	1 - 2	6.7mH	0.49Ω
	Secondary	30.4	3 - 4	6.25H	1.08KΩ
CH-981023E	Primary	1	1 - 2	1.28mH	0.123Ω
	Secondary	70	3 - 4	6.32H	1.05KΩ
CH-981214	Primary	1	1 - 2	1.28mH	0.123Ω
	Secondary	40	3 - 4	1.95H	0.36KΩ
CH-980919	Primary	1	1 - 2	6.7mH	0.49Ω
	Secondary	30.4	3 - 4	6.25H	1.08KΩ
CHT-0004A	Primary	1	1 - 2	5.7mH	0.57Ω
	Feedback	0.04	2 - 3	12uH	0.03Ω
	Feedback	0.2	4 - 5	0.25mH	0.12Ω
	Secondary	17.4	6 - 7	1.7H	1.75KΩ
CHT-0005A	Primary	1	1 - 2	1.0mH	1.25Ω
	Feedback	1	3 - 4	1.0mH	1.29Ω
	Secondary	48.8	5 - 6	2.3H	0.64KΩ
CHT-0005B	Primary	1	1 - 2	1.0mH	1.25Ω
	Feedback	1	3 - 4	1.0mH	1.29Ω
	Secondary	50.8	5 - 6	2.75H	0.69KΩ
CHT-0132	Primary	1	1 - 2	6.80mH	0.41Ω
	Feedback	0.13	3 - 4	117uH	0.067Ω
	Secondary	36.5	5 - 6	9.10H	1.18KΩ