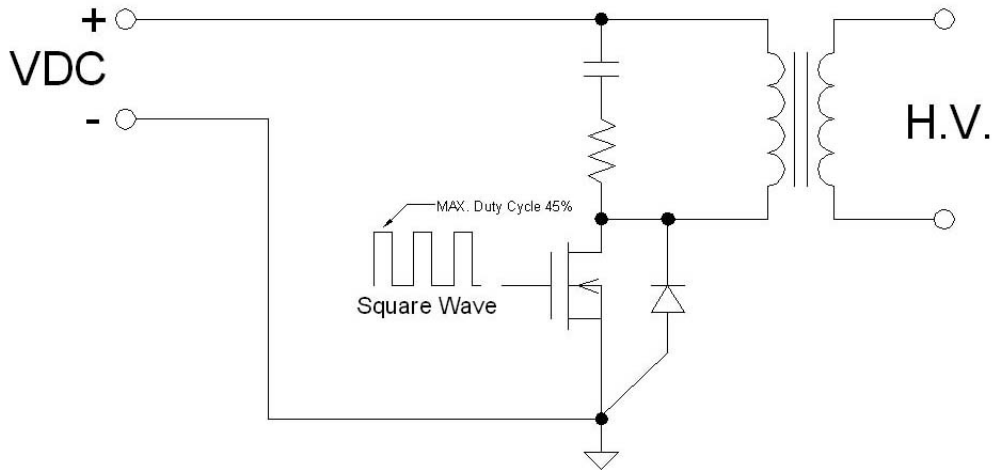
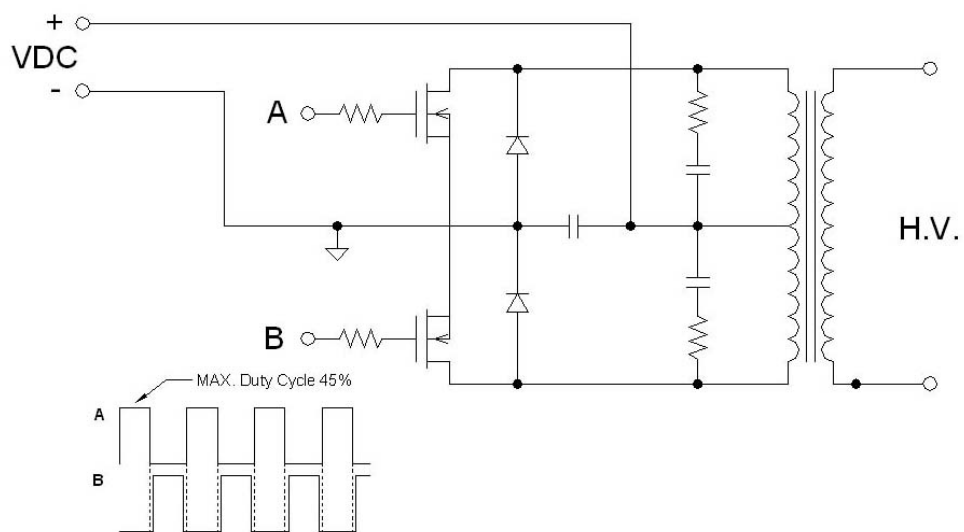


# Driving Circuits Diagram

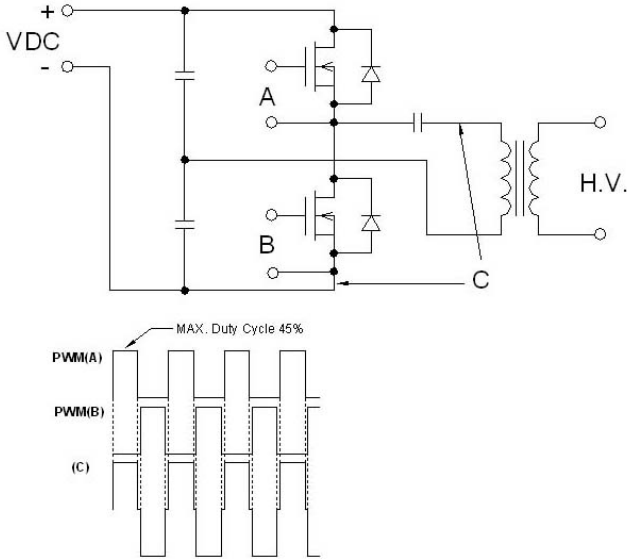
## Separately-Excited Flyback



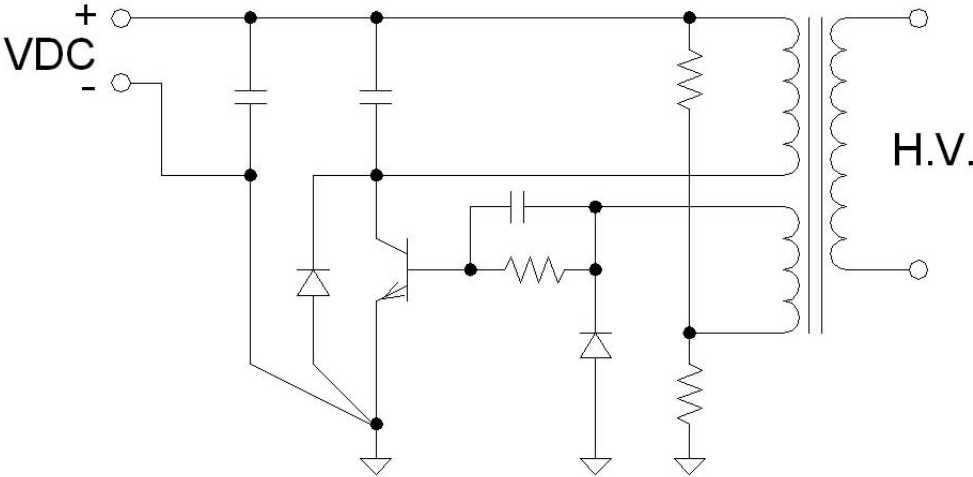
## Separately-Excited Push-Pull



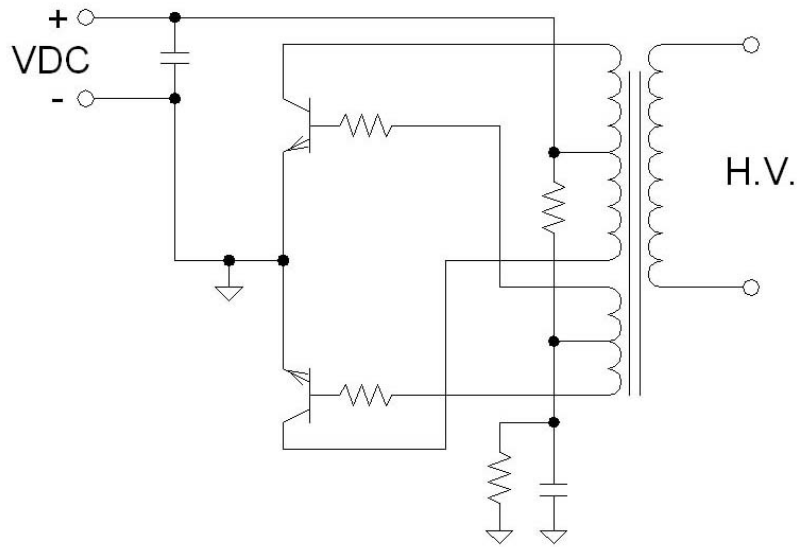
# Separately-Excited Half-Bridge



# Self-Oscillating Flyback



## Self-Oscillating Push-Pull



## Separately-Excited Full-Bridge